

LED Bulb

Data Sheet
Serial Number **LB-xx-xx-xx-x**

Description: LB-Watt-Color-Plug-Voltage

Issue date: 2009.04.08

Version: Ver 1.3



1. Introduction

This is an integration module of electrical, optical and thermal components for E27, E26 or GU10 base. One of these module characteristics is coherent lighting, and none would be wasted for illumination.

This module does not need the extra heat dissipation device for operating. Users can use it with all lighting fixtures of E27, E26 or GU10.

2. Characteristics

2-1 5W Type

LED	PLCC 3020 from Gene LED
Weight	100g
Input Power	100~120VAC or 200~220VAC/ 90~110VAC or 190~210VAC
Power Consumption	5 W
Total Luminous Efficiency*	60 lm/W
Life Time	40,000 hrs
Operating Temperature	-20°C~45°C
Operating Humidity	0%~80%
View Angle	120°
Base	E26 / E27 / GU10
Color	White / Warm White

* The luminous efficiency is measured with 5000~6000K products

2-2 10W Type

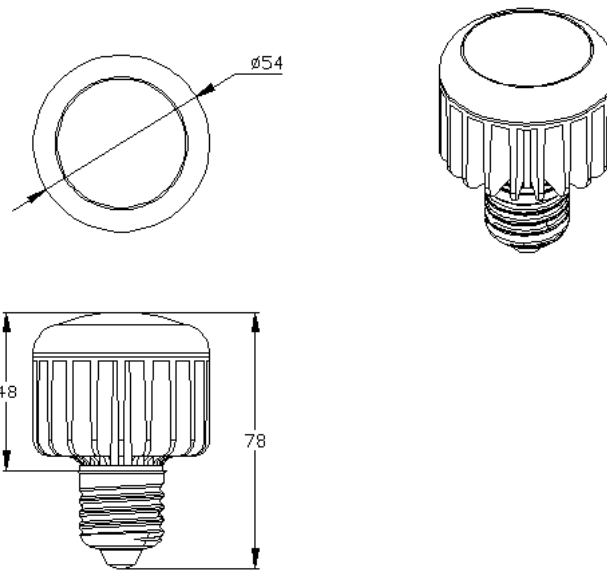
LED	PLCC 3020 from Gene LED
Weight	300g
Input Power	100~120VAC or 200~220VAC/ 90~110VAC or 190~210VAC
Power Consumption	10 W
Total Luminous Efficiency*	60 lm/W
Life Time	40,000 hrs
Operating Temperature	-20°C~45°C
Operating Humidity	0%~80%
View Angle	120°
Base	E26 / E27
Color	White / Warm White

* The luminous efficiency is measured with 5000~6000K products

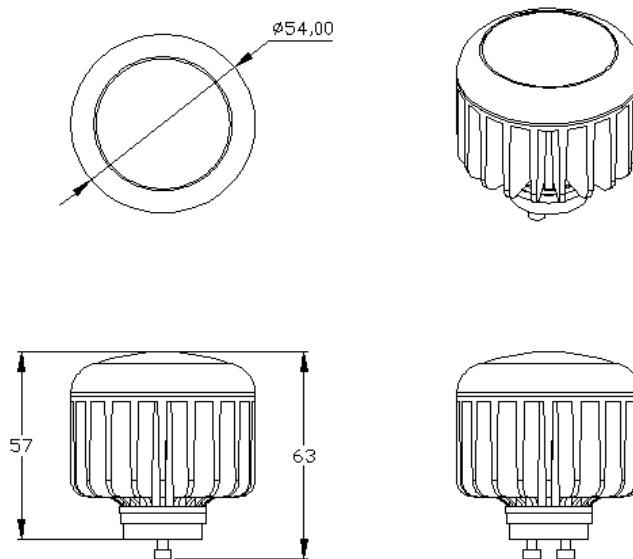
3. Dimension

3-1 5W Type

E26 / E27 Type



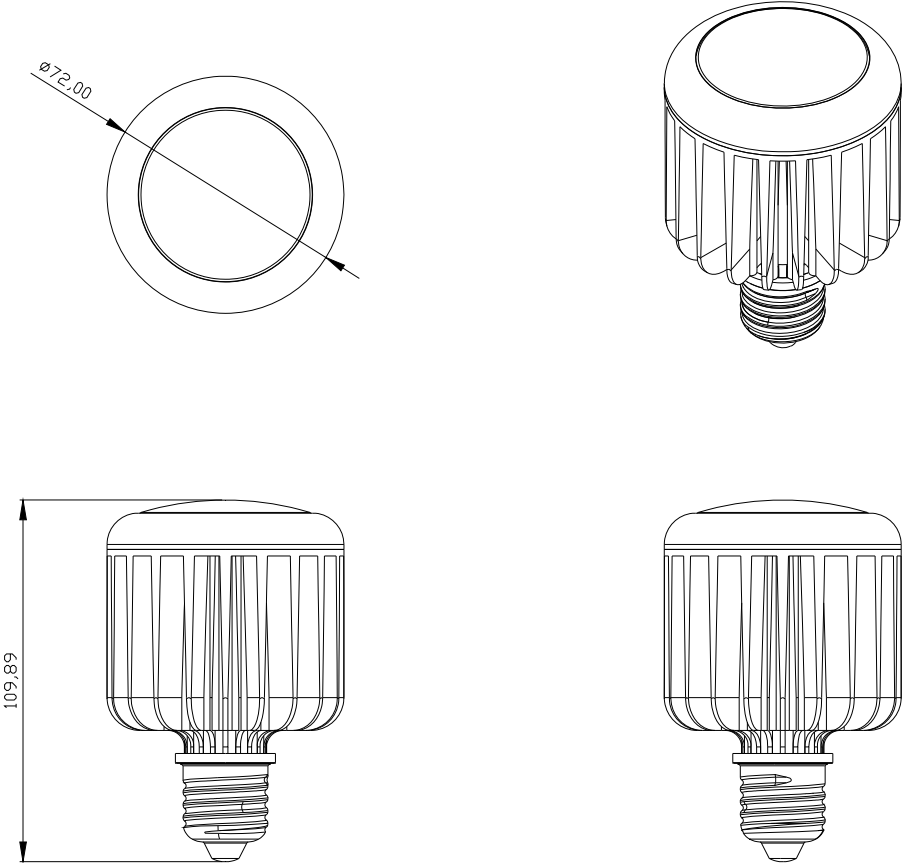
GU10 Type



Unit: mm

3-2 10W Type

E26 / E27 Type



Unit: mm

4. Part No. List

4-1 5W Type 110V/220V

Part No.	Color	Base	Voltage
LB-05-CW-E7-A	Cool white	E27	110 V
LB-05-CW-E7-B	Cool white	E27	220 V
LB-05-WW-E7-A	Warm white	E27	110 V
LB-05-WW-E7-B	Warm white	E27	220 V
LB-05-CW-GA-A	Cool white	GU10	110 V
LB-05-CW-GA-B	Cool white	GU10	220 V
LB-05-WW-GA-A	Warm white	GU10	110 V
LB-05-WW-GA-B	Warm white	GU10	220 V

4-2 5W Type 100V/200V

Part No.	Color	Base	Voltage
LB-05-CW-E6-C	Cool white	E26	100 V
LB-05-CW-E6-D	Cool white	E26	200 V
LB-05-WW-E6-C	Warm white	E26	100 V
LB-05-WW-E6-D	Warm white	E26	200 V

4-3 10W Type 110V/220V

Part No.	Color	Base	Voltage
LB-10-CW-E7-A	Cool white	E27	110 V
LB-10-CW-E7-B	Cool white	E27	220 V
LB-10-WW-E7-A	Warm white	E27	110 V
LB-10-WW-E7-B	Warm white	E27	220 V

4-4 10W Type 100V/200V

Part No.	Color	Base	Voltage
LB-10-CW-E6-C	Cool white	E26	100 V
LB-10-CW-E6-D	Cool white	E26	200 V
LB-10-WW-E6-C	Warm white	E26	100 V
LB-10-WW-E6-D	Warm white	E26	200 V